

EasyIgloo®



Rapid
Diagnostic
System
For **Point**
The of Care

We create a **system** consisting of connected diagnostic devices, embedded & user-facing software and cloud services that are:

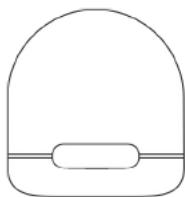
Lab-grade accurate

Times less costly than traditional lab tests

Able to provide results in minutes

Open, flexible and able to work with dozens of biomarkers

Dx365 Reader



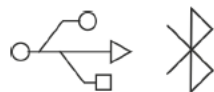
Compact & portable — take up to 100 measurements on a single battery and store up to 1500 between connections to apps or the cloud



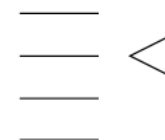
Reliable — built in self-testing and self-calibration



Flexible — supports a wide range of tests (up 8 lines on the strip)



Always connected
with onboard Bluetooth/USB connectivity & updatable firmware



Accurate
CV < 2% — Inter reader
CV < 3% — Intra reader

Easy-to-use apps



Dx365 Studio
for LF test developers
and manufacturers



Dx365 Care
for points of care



Dx365 Care Mobile
for professionals on the go
and non-professional users

Dx365 System

Easy-to-use apps

Dx365 Studio

for LF test developers and manufacturers

Create and run
calibration studies

Export results
locally or upload them to
the cloud

Evaluate CV and check
tests against clinical
references

PC & Mac support



Dx365 System

Easy-to-use apps

Dx365 Care

for points of care and every other end user

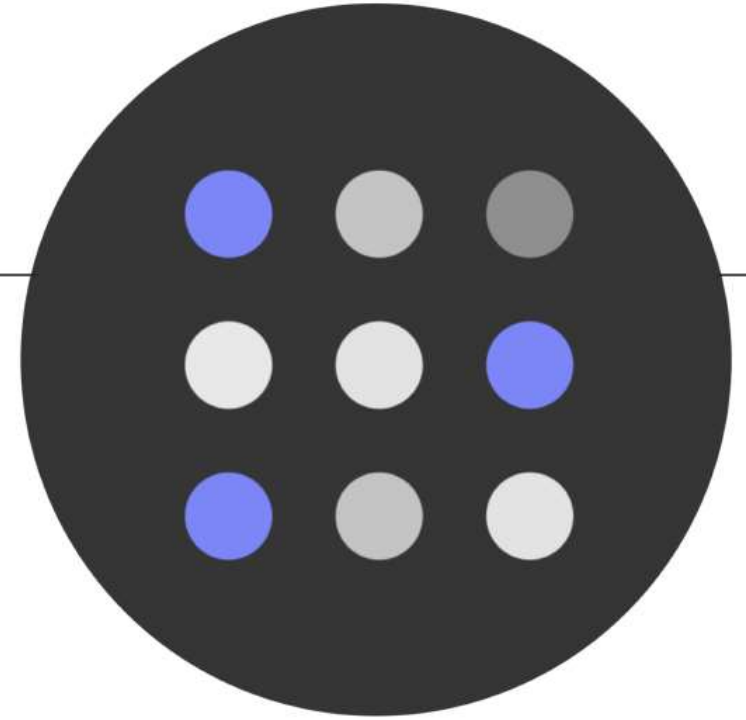
Automatically receive test calibration data DataMatrix, or cloud

Store, explore and search results securely with industry-compliant encryption

PC & Mac support

Measure test results in a friendly and easy-to-use interface

Export results in various formats PDF, XLS



Dx365 System



Dx365 Care Mobile

for professionals on the go and non-professional users

Connect to Igloo via
bluetooth to stay truly
mobile

Store, search and export as
flexibly as on a desktop

Receive measurement
results without connecting to
a desktop

Good for doctors and non-
professional users alike

Android support
(iOS soon)



Dx365 System



Dx365 Cloud

Get valuable insights
from test usage statistics

**Log in and access
measurements** anytime
& anywhere on multiple devices

Update calibration data
and train your Dx365 Reader with newly available
tests

Receive remote support
and diagnostics for your Dx365 system

Cases and scenarios

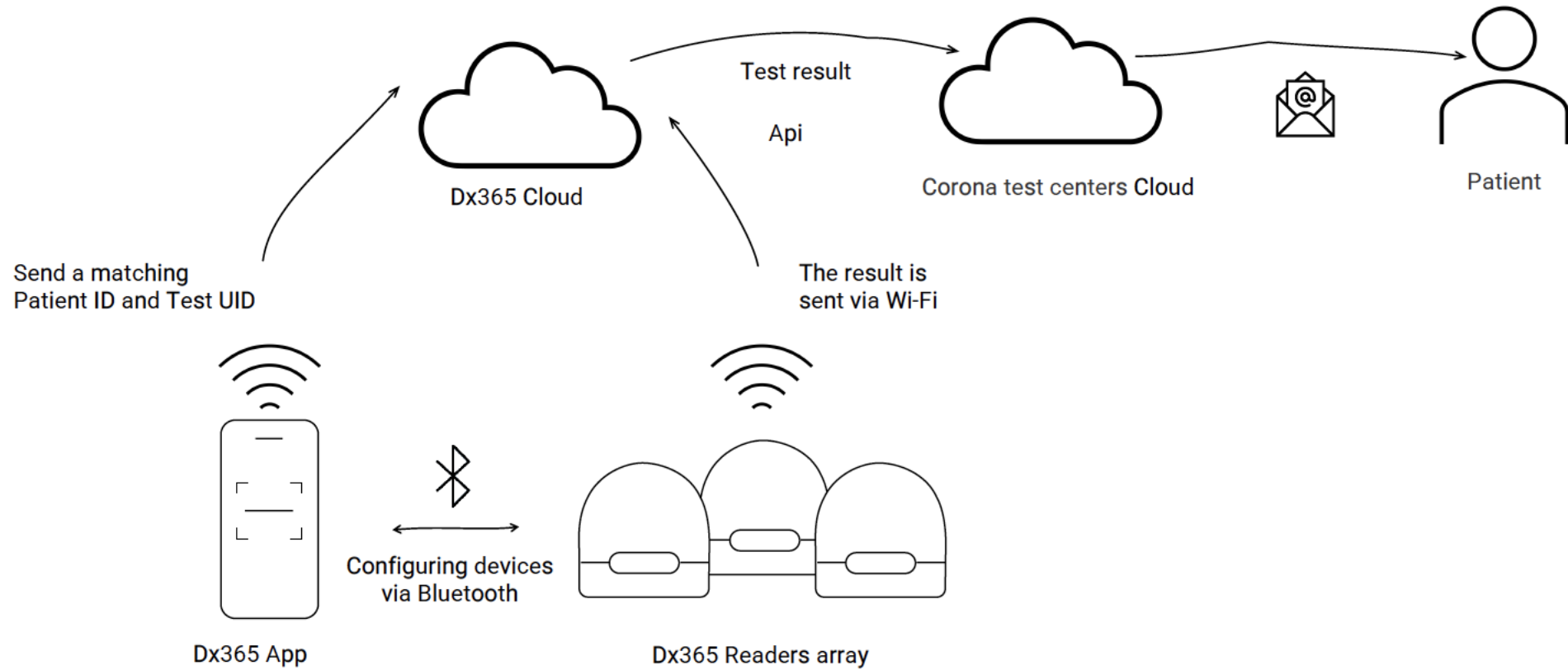
Professional use

Non-professional

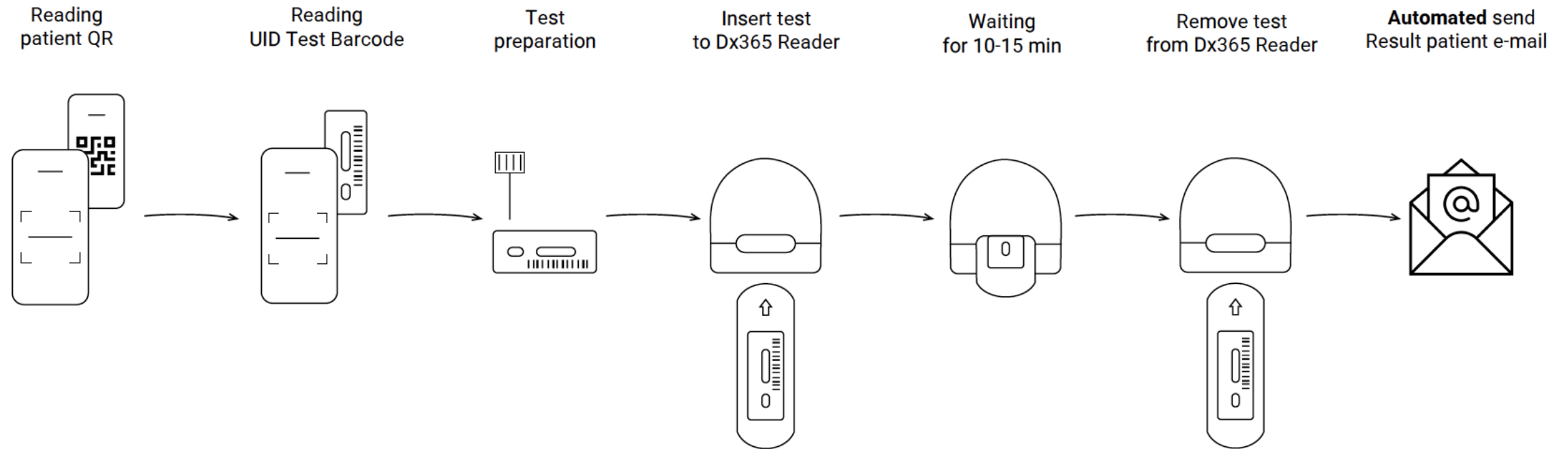
Mass testing use



Mass testing Architecture



Mass testing Procedure





Professional use

POCs and clinics — save time and money by running tests right during a patient's visit.

Get tests that they need, when they need them, using a pay-as-you-go model

Also works great for

Home and enterprise
visiting doctors

Labs and in-home lab
visits

Vet clinics



Biomarkers available for lateral flow testing

Hormones

HCG, LH, FSH, TSH test, fFN , T3Free, T4Free,
Prolactin, Thyroglobulin, Anti TPO, Insulin, HS-Insulin,
Cortisol, Testosterone

Cardiac markers

Tnl Troponin test, Myoglobin test, NT-pro-BNP test,
Procalcitonin (PCT), C-reactive protein (hs-CRP),
H-FABP, D-Dimer

Tumor markers

AFP, CA-125, CEA (Carcinoma Embryonic Antigen), PSA free
(Prostate Specific Antigen), β -HCG, Carbohydrate-Antigen 19-9
(CA 19-9), Ferritin test, CA15-3, FOB

Urine tests

PH test, Specific Gravity/density test, Glucose, Ascorbic Acid,
Creatinine, Calcium, UTI (Leukocyte, Nitrite, Blood), Liver
(Bilirubin, Urobilinogen), Protein, Microalbumin, Ketones,
Hemoglobin

Wellness & general health

HbA1c, Total IgE, 25-OH Vitamin D, Ferritin, Influenza A/B, CRP, PCT ,
Sickle cell disease test, Strep A , FOB, Calprotectin, Adenovirus, Rotavirus,
Strep Pneumoniae, H. Pylori Ag/Ab , Cys C, Crea

Infections & viruses

COVID-19 IgM/IgG, HCV Hepatitis C Virus Ab test, Ebola, Lyme/Borrelia
test, Neopterin test, H.pylori Antibody Ab test (HP), Syphilis Anti-Treponema
Pallidum, HIV 1/2 (O/1/2), Strep A test, Chlamydia test, Malaria, Dengue
IgM/IgG, Zika IgM/IgG, TB Tuberculosis test (IgG/IgM), Toxo test, HAV
Hepatitis A Virus IgG/IgM, HBsAg (Hepatitis B Surface Antigen), Herpes,
Brucellosis (Brucella) IgG/IgM, Gonorrhea NGH, Rubella IgG,
Mononucleosis, Filariasis IgG, Tetanus test, Mycoplasma Pneumonia

Drugs of Abuse

ETG, Amphetamine (AMP) test,
Barbiturates (BAR) test, Benzodiazepines (BZO) test, Buprenorphine (BUP)
test, Cocaine (COC) test, Ecstasy (MDMA) test, EDDP2-Ethylidene,
Marijuana (THC) test, Methadone (MTD) test, Methamphetamine (MET) test,
Morphine (MOP) test 300, Opiate (OPI) test 2000, Oxycodone (OXY) test,
Phencyclidine (PCP) test, Propoxyphene (PPX) test, Tricyclic, Antidepressant
(TCA), Spice (K2) test, Cotinine (COT) test, Adulteration test



The Igloo reader can read out any lateral flow test

- Type 1: Colorimetric
- Type 2: Fluorimetric (time resolved europium) + colorimetric



POC Igloo

✉ nedal.almohamed@alwex.de

✉ isabelle.schneider@alwex.com

☎ +49 1764 0567 105

☎ +49 178 6880 113
